

Y4 Homework 17 Answers

| Vocabulary | Making air smell better | Cloze Y4 Sleeping beauty | Grammar & Punctuation | Spelling |
|-----------------|-------------------------|--------------------------|--|--------------------------|
| 1) need | | 1) King | | |
| 2) fete | 1) b | 2) delighted | 1 When are your cousins expected to arrive <input checked="" type="checkbox"/> | battery |
| 3) steak | | 3) invited | | |
| 4) leak | 2) a | 4) twelve | 2 Come and see me tomorrow; I will not have time to see you today. | CORRECT |
| 5) dough | | 5) knocking | | CORRECT |
| 6) bawled | 3) d | 6) laughed | 3 We went to Manchester for Kajal and Jamal's party. <input checked="" type="checkbox"/> | thread |
| 7) bygone | | 7) terrified | 4 had collected <input checked="" type="checkbox"/> | elect |
| 8) anchorage | 4) c | 8) despair | 5 The last place I saw Jack and Gwen <u>was</u> / <u>were</u> in the playground. | CORRECT |
| 9) worker | | 9) fifteenth | At the museum, there <u>was</u> / <u>were</u> many interesting exhibits. | century |
| 10) seep | | 10) asleep | The bikes <u>was</u> / <u>were</u> lined up for the start of the race. | trendsetter |
| 11) resemblance | 1) c | 11) hundred | | 9. CORRECT |
| 12) externsion | 2) a | 12) passed | | 10. CORRECT |
| | 3) a | 13) misfortune | | 11. gratitude |
| | 4) b | 14) curious | | 12. balance |
| | 5) b | | | |
| | 6) a | | | |
| | 7) d | | | |

Fill in the table below for 2D Shapes

| | Shapes | Names | Number of sides | Number of corners |
|----|--------|---------------|-----------------|-------------------|
| 1 | | Triangle | 3 | 3 |
| 2 | | Rectangle | 4 | 4 |
| 3 | | Square | 4 | 4 |
| 4 | | Parallelogram | 4 | 4 |
| 5 | | Pentagon | 5 | 5 |
| 6 | | Octagon | 8 | 8 |
| 7 | | Hexagon | 6 | 6 |
| 8 | | Trapezium | 4 | 4 |
| 9 | | Rhombus | 4 | 4 |
| 10 | | kite | 4 | 4 |

Fill in the tables below for 3D Shapes

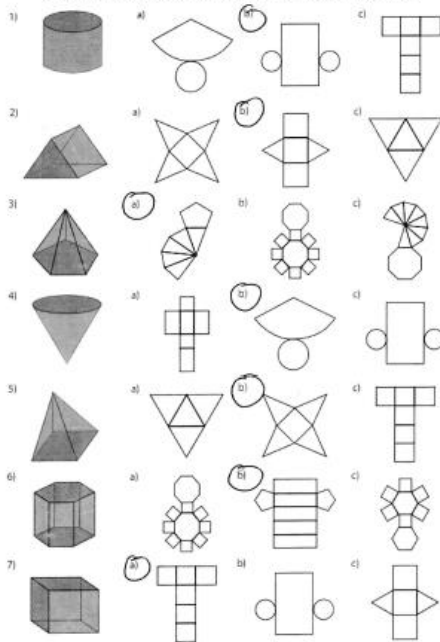
| Name | Cuboid | Cone | |
|----------|--------|------|--|
| Faces | 6 | 2 | |
| Vertices | 8 | 1 | |
| Edges | 12 | 1 | |

| Name | Cylinder | Prism | hexagonal pyramid |
|----------|----------|-------|-------------------|
| Faces | 3 | 5 | 6 |
| Vertices | 2 | 6 | 6 |
| Edges | 2 | 9 | 10 |

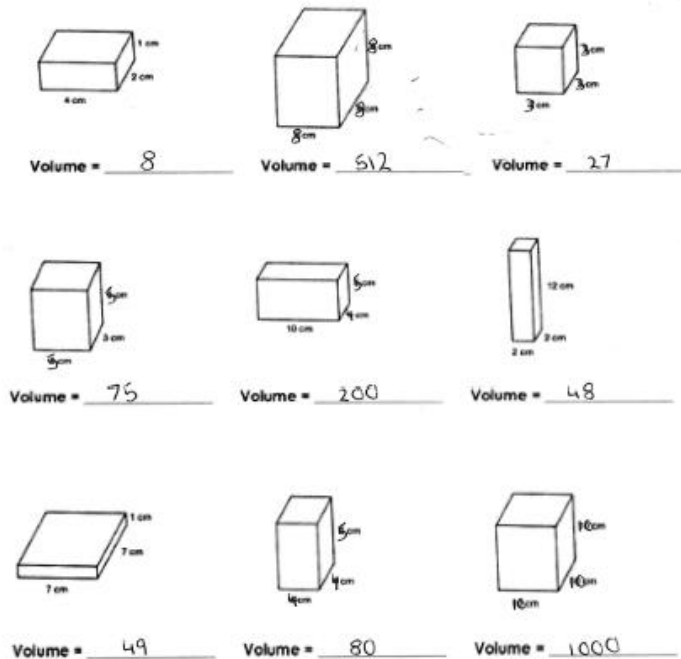
Similarities

- 1) d
- 2) c
- 3) b
- 4) b
- 5) a
- 6) d
- 7) c
- 8) a
- 9) a

Circle the correct NET for each of the 3D Shapes below



Calculate the volume for each cuboid below



VR Rearrange

- 1) w
- 2) d
- 3) m
- 4) b
- 5) k
- 6) f
- 7) f
- 8) r
- 9) o
- 10) f
- 11) t
- 12) b